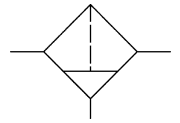




572.14



FES.G1250



Stainless steel filters containing no non-ferrous metals for use in the food processing, chemical, mining, plant construction and special machinery industries as well as in the medical technology.

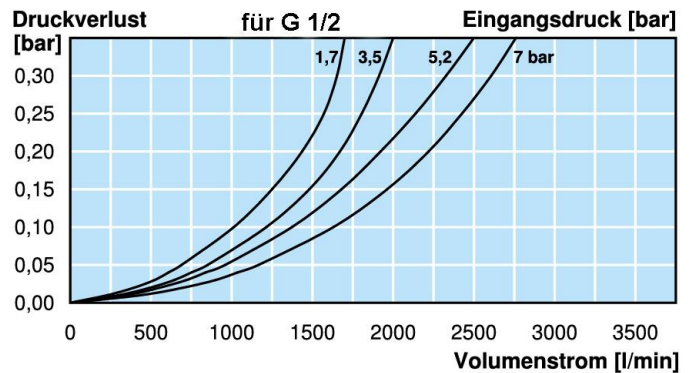
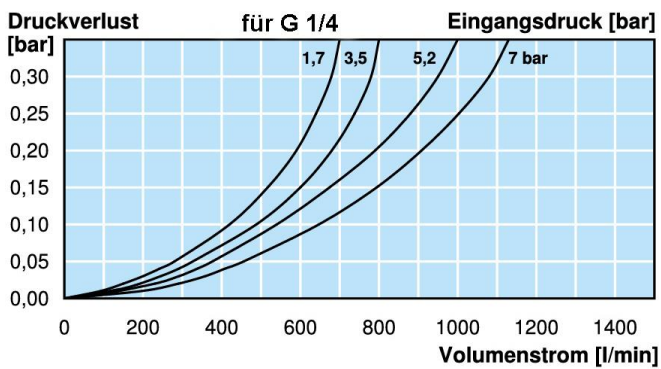
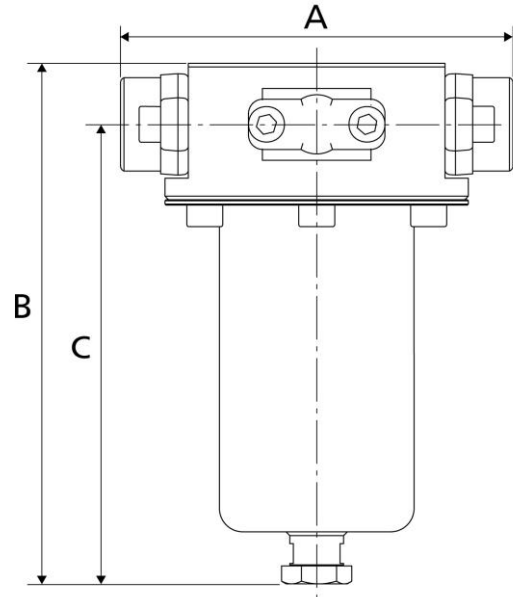
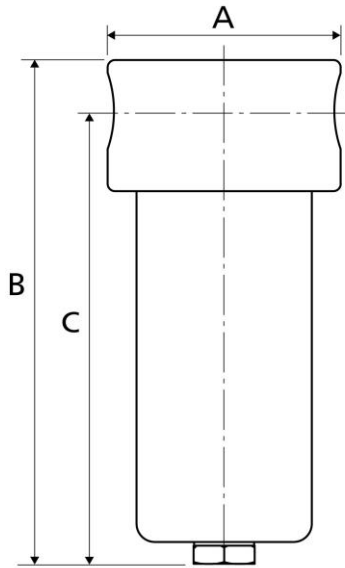
Max. input pressure	50 bar
Medium temperature	-20 to 80 °C
Ambient temperature	-20 to 80 °C
Housing	Stainless steel 1.4404 (AISI 316L)
Sealant	FKM
Condensate drain	Locking screw
Filter rating	50 µm
Flow rate measurement	at P <sub>1</sub> = 7 bar and pressure drop Δp ≤ 0,33 bar

## Stainless steel filter

Art. No.	Type No.	Thread	Flow rate l/min	A mm	B mm	C mm
101211	572.14	G 1/4	900	64.0	140.0	125.0
129670	FES.G1250	G 1/2	2500	109.0	140.0	123.0

- With NPT threads available on request
- Other control ranges, temperature ranges and FDA approval available on request
- With filter element 5 µm available on request
- Important: This is not a sterile filter!
- With manual or fully automatic drain valve on request

Dimensions:



Accessories / spare parts

Art. No.	Type No.	Description
101215	576/5	Mounting bracket, stainless steel 1.4401 for G 1/4
101216	576/6	Mounting bracket, stainless steel 1.4401 for G 1/2
101213	22.5724.4	Set of wearing parts for G 1/4
129674	VTSFES.G12	Wear part set, stainless steel filter G 1/2